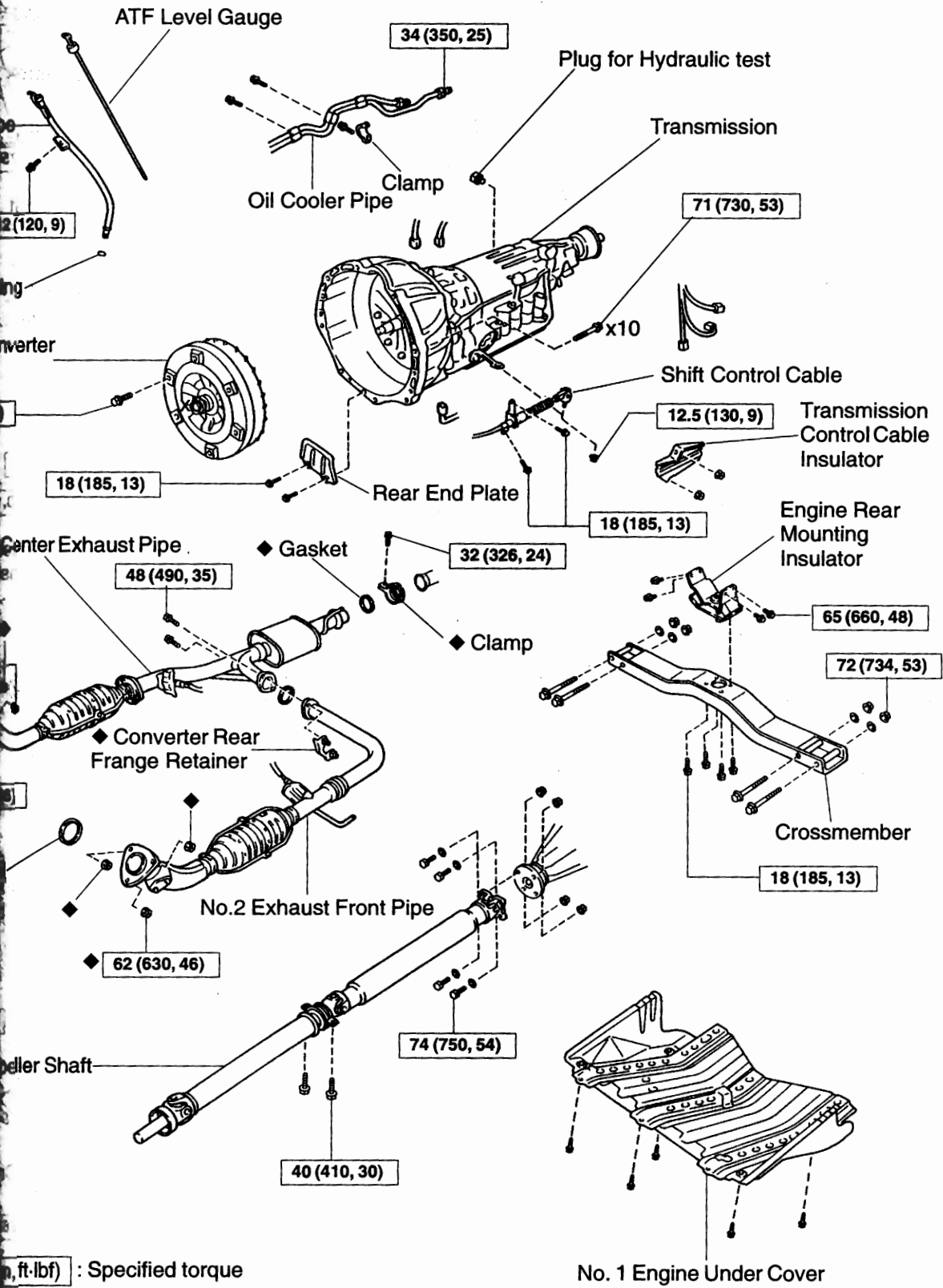
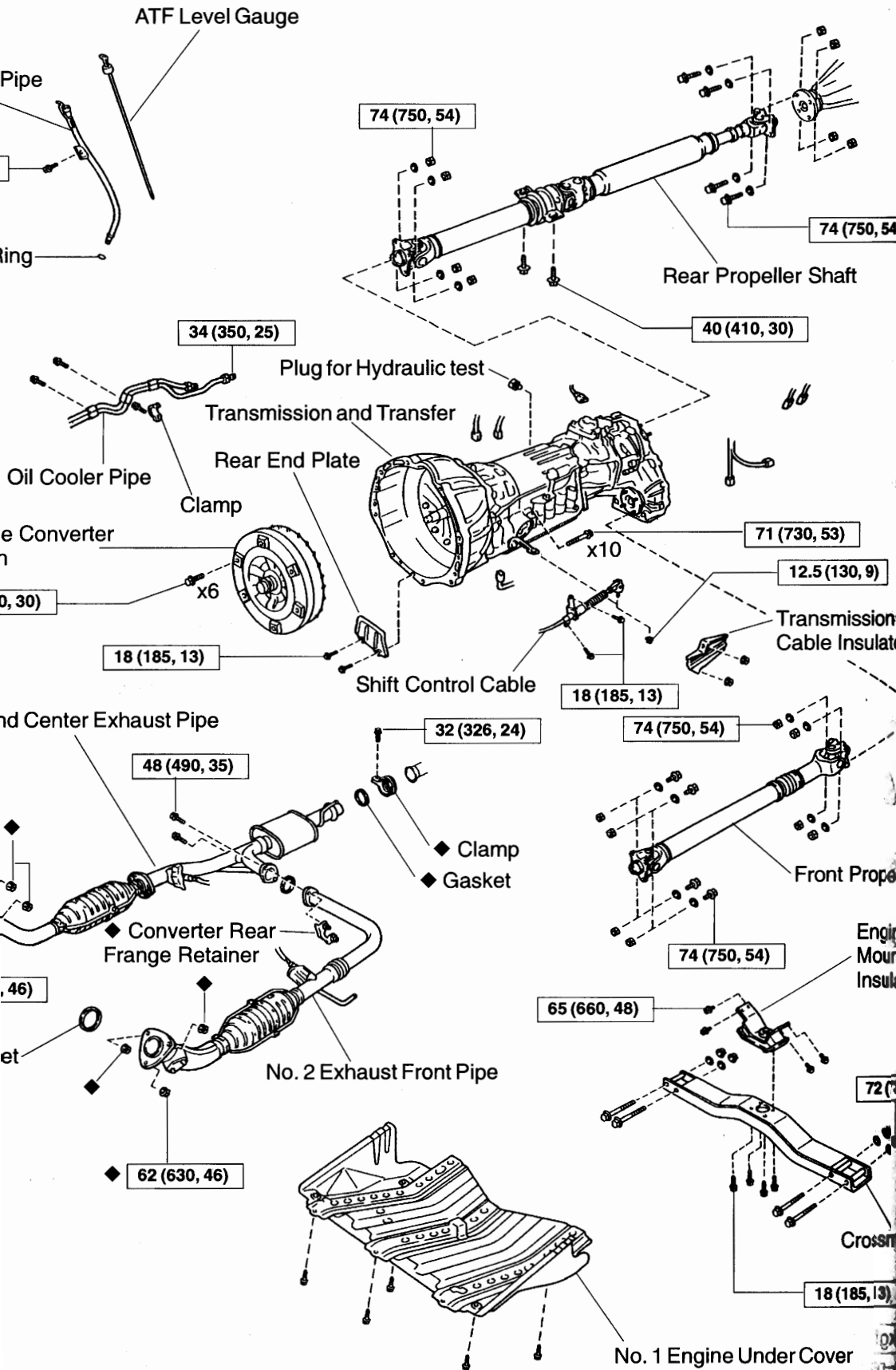


# AUTOMATIC TRANSMISSION UNIT (2UZ-FE)

AT10M-01

## COMPONENTS

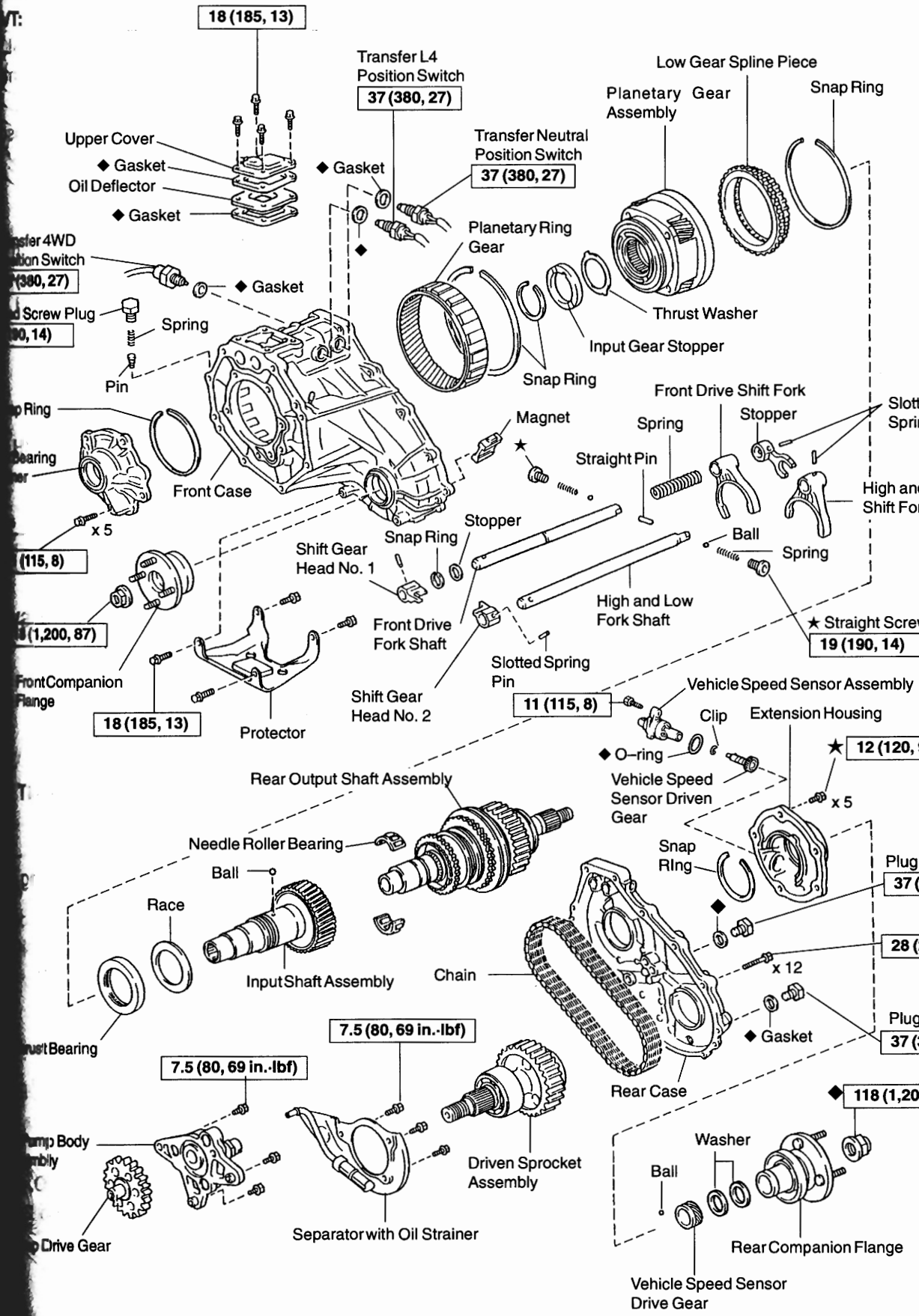




(N·cm, ft·lbf) : Specified torque

Reusable part

VT:



(kg-cm, ft-lbf) : Specified torque  
 Reusable part  
 Coated part