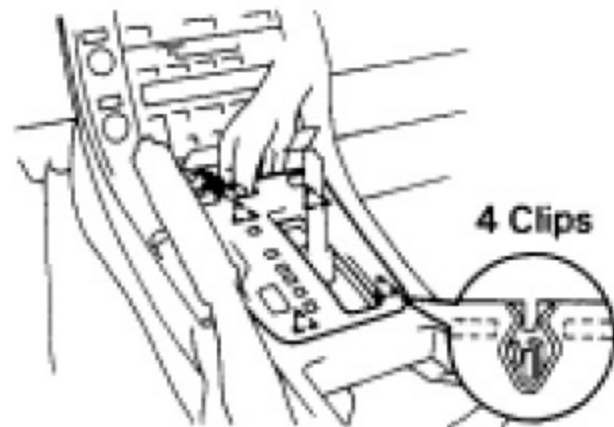




6. REMOVE SHIFT LEVER NOB

- (a) Slide the shaft collar downward and remove two screws.
- (b) Remove the nob.



7. REMOVE UPPER CONSOLE PANEL REAR

- (a) Open the ash tray lid.
- (b) Lift the console panel toward you.
- (c) Insert your finger in the shift lever groove and pull console panel upward away from you.
- (d) Remove the panel.



8. REMOVE CUP HOLDER

- (a) Open the cup holder lid.
- (b) Pull up the holder.

NOTICE: Do not pull the lid.

9. REMOVE UPPER CONSOLE PANEL

Remove six screws and pry out of the panel.