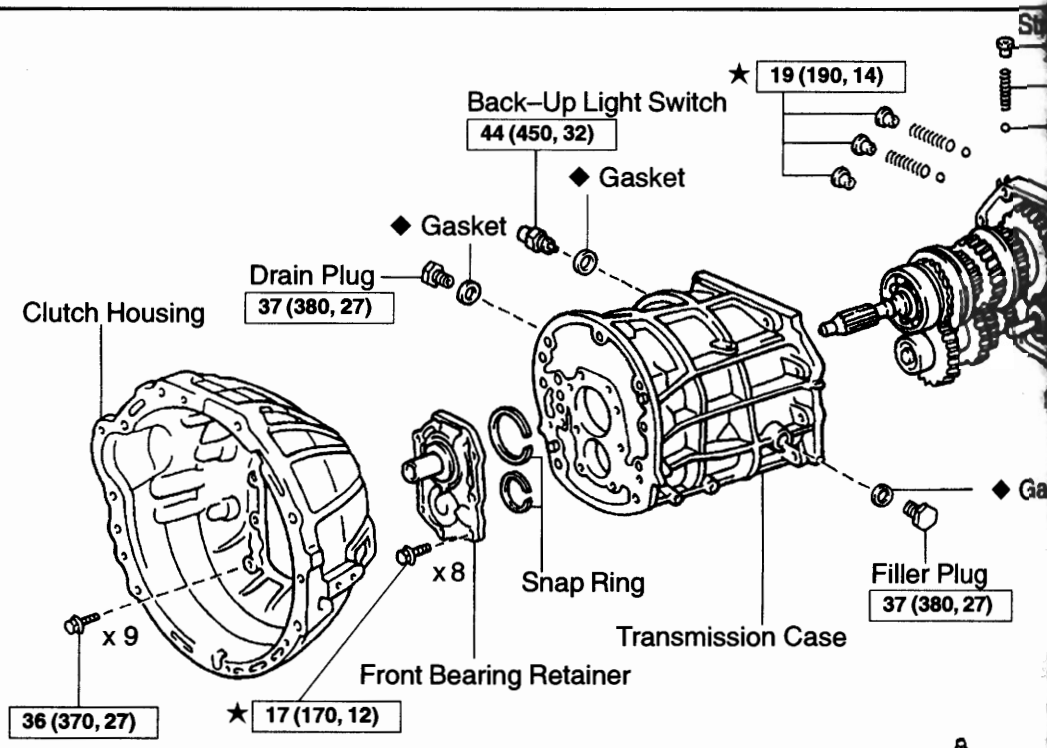
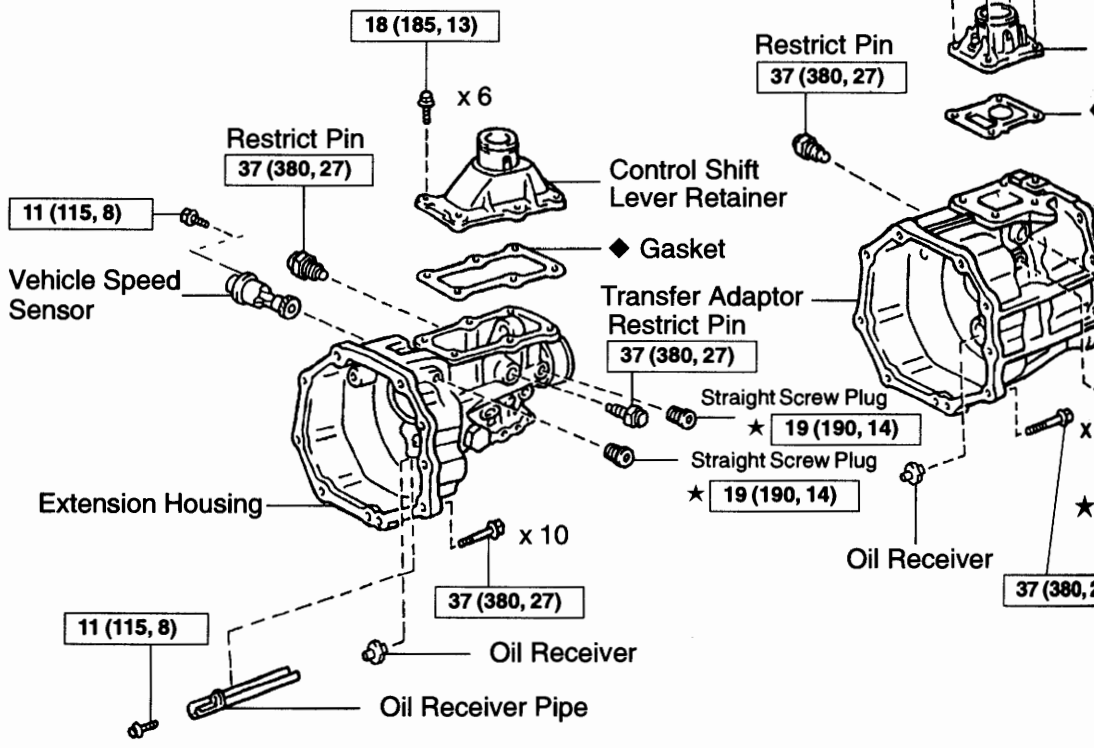


MANUAL TRANSMISSION ASSEMBLY COMPONENTS



2WD:

4WD:



N·m (kgf·cm, ft·lbf) : Specified torque

◆ **Non-reusable part**

★ **Precoated part**

