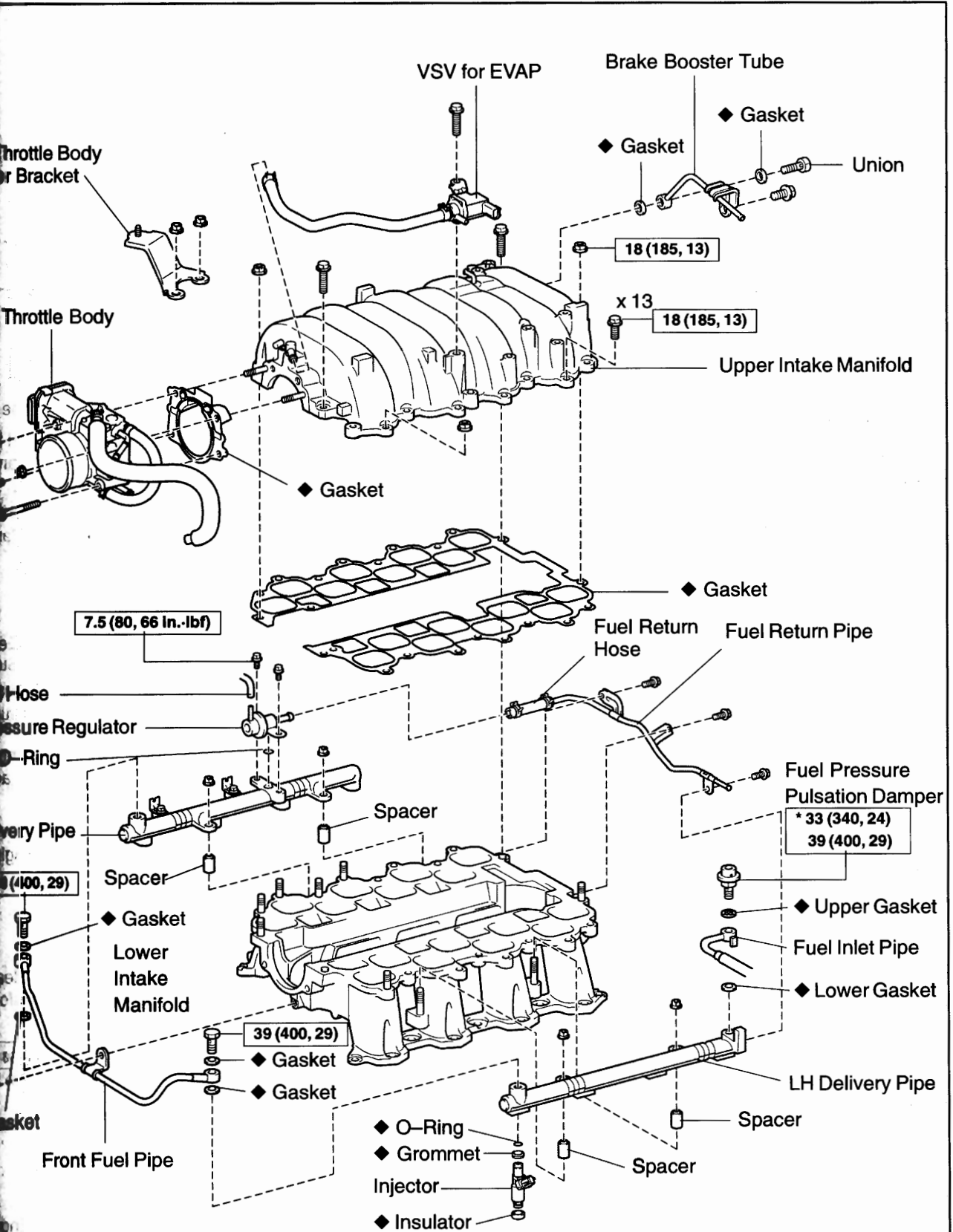


ENGINE MECHANICAL (2UZ-FE) - CYLINDER HEAD



(kgf-cm, ft-lbf) : Specified torque