

SUSPENSION - REAR

Fig. 2: Locating Rear Suspension Components (LS400)

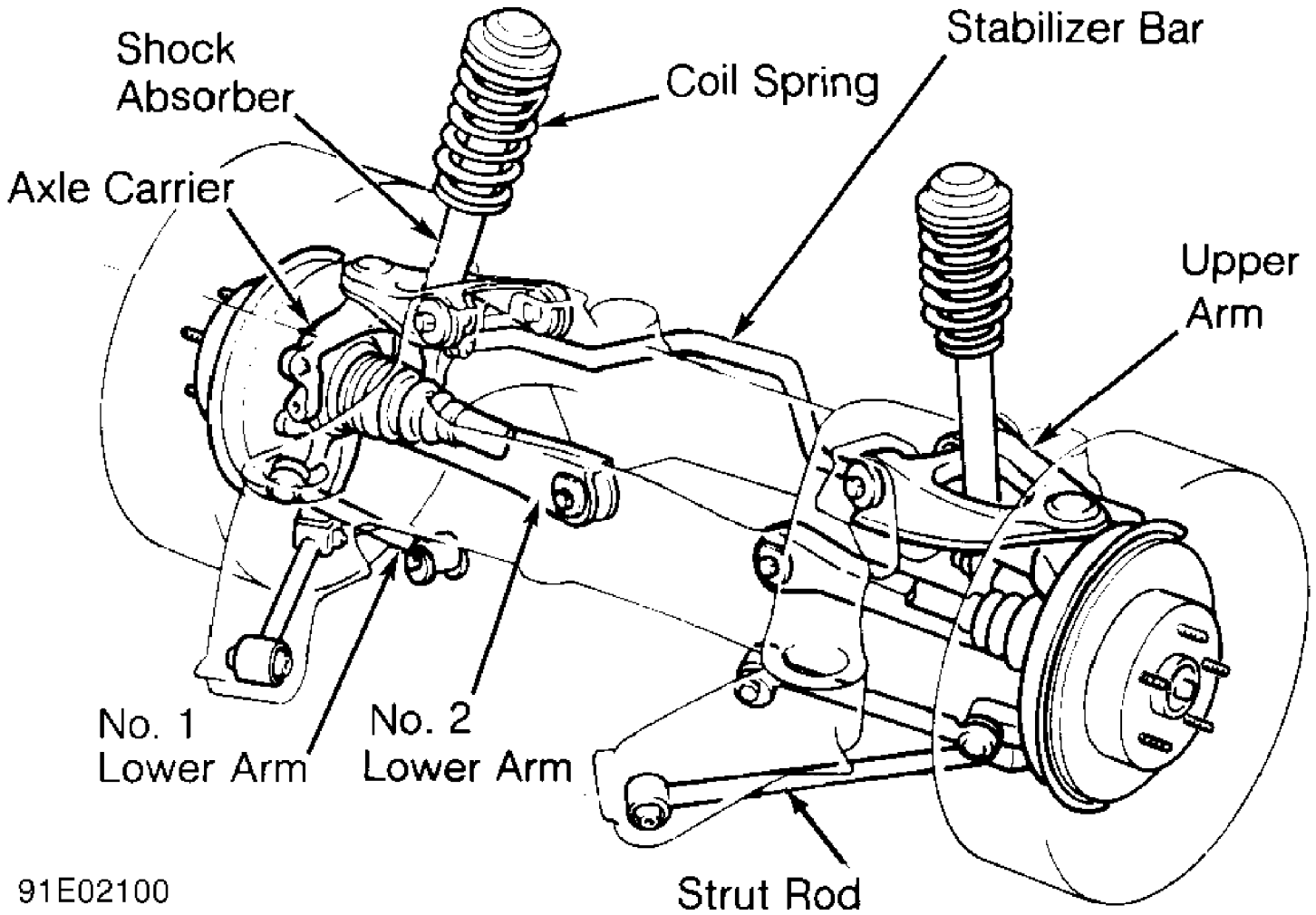
Courtesy of Toyota Motor Sales, U.S.A., Inc.

1990 Lexus LS 400

For Lextreme

Copyright © 1998 Mitchell Repair Information Company, LLC

Thursday, January 29, 2004 04:54PM



91E02100