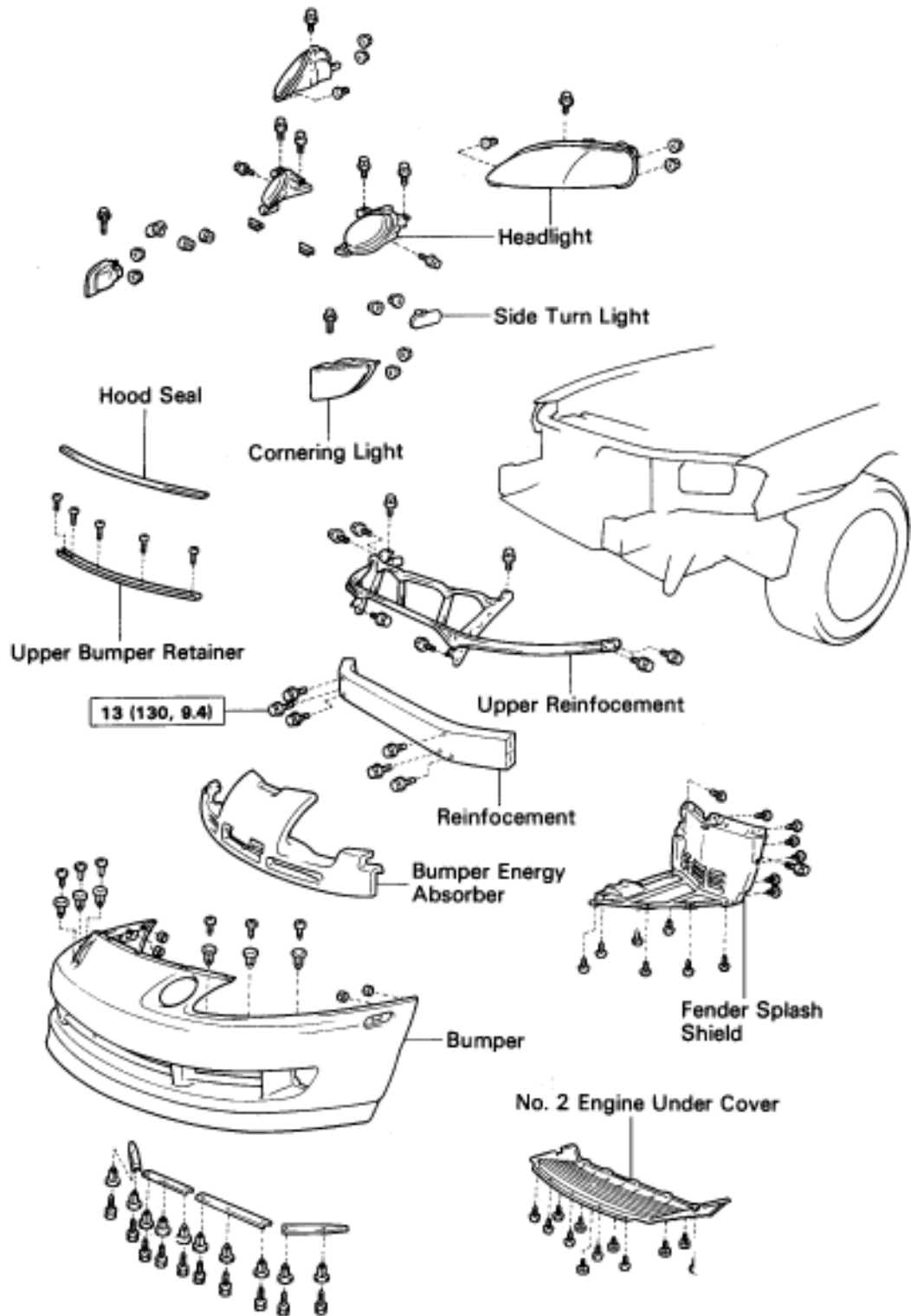


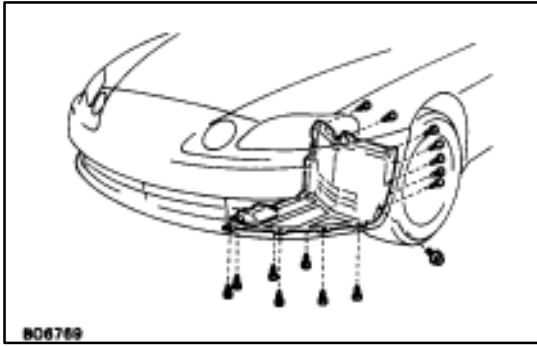
BUMPER

Front Bumper

COMPONENTS



N·m (kgf·cm, ft·lbf) : Specified torque

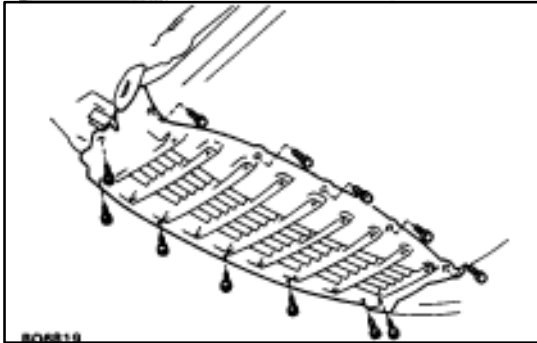


REMOVAL OF FRONT BUMPER

(See page [BO-11](#))

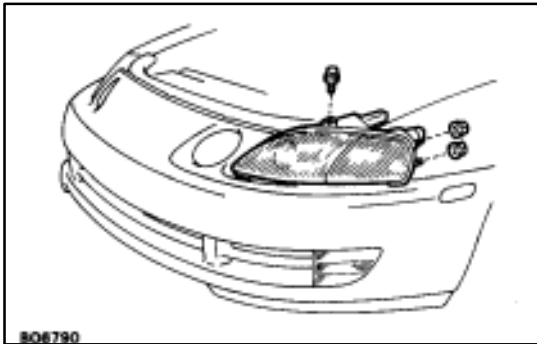
1. REMOVE FENDER SPLASH SHIELD

Remove fourteen screws, a bolt and the shield.



2. REMOVE NO. 2 ENGINE UNDER COVER

Remove seven screws, five bolts and the cover.

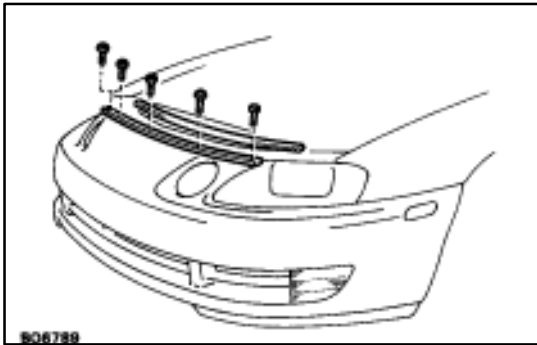


3. REMOVE HEADLIGHT

(Low Beam)

(a) Remove two nuts, a bolt and the headlight.

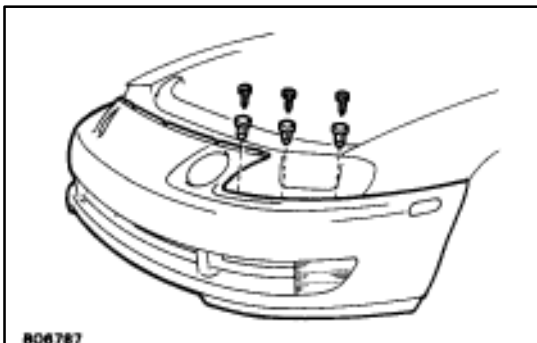
(b) Disconnect the connectors.



4. REMOVE UPPER BUMPER RETAINER

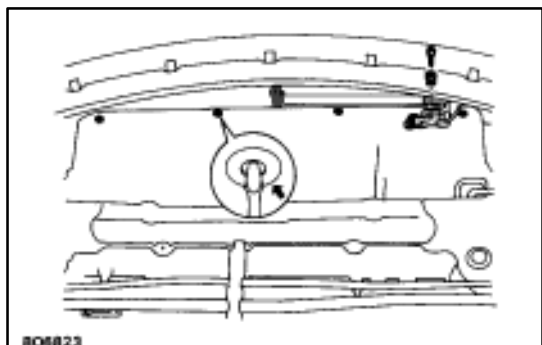
(a) Remove the hood seal.

(b) Remove five screws and the retainer.

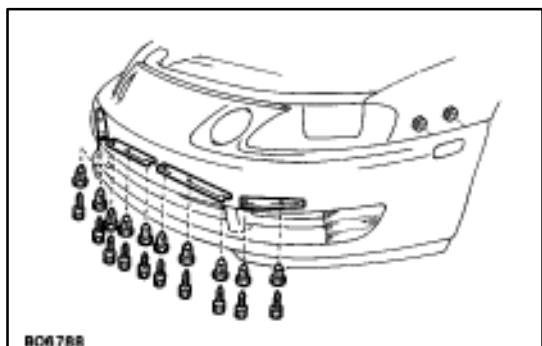


5. REMOVE BUMPER

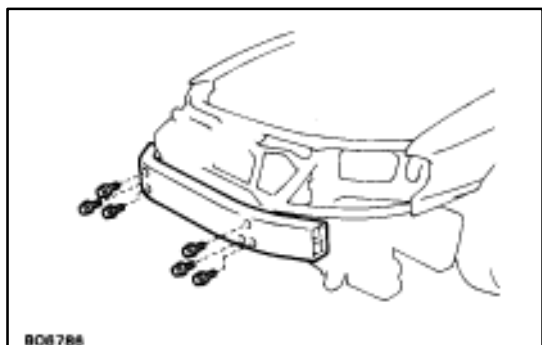
(a) Remove six clips.



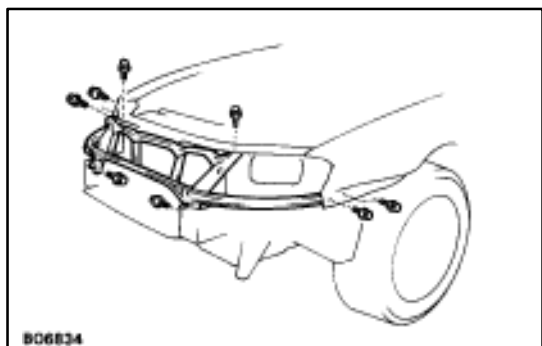
- (b) Remove four clips.
- (c) Remove the clip and ambient temperature sensor.



- (d) Remove four nuts.
- (e) Remove ten clips.
- (f) Disconnect the connectors.
- (g) Remove the bumper.



- 6. REMOVE REINFORCEMENT**
Remove six bolts and the reinforcement.



- 7. REMOVE UPPER REINFORCEMENT**
Remove eight bolts and the reinforcement.



- 8. REMOVE HEADLIGHT (High Beam)**
- (a) Remove two screws, a bolt a clip and the headlight.
 - (b) Disconnect the connector.

INSTALLATION OF FRONT BUMPER

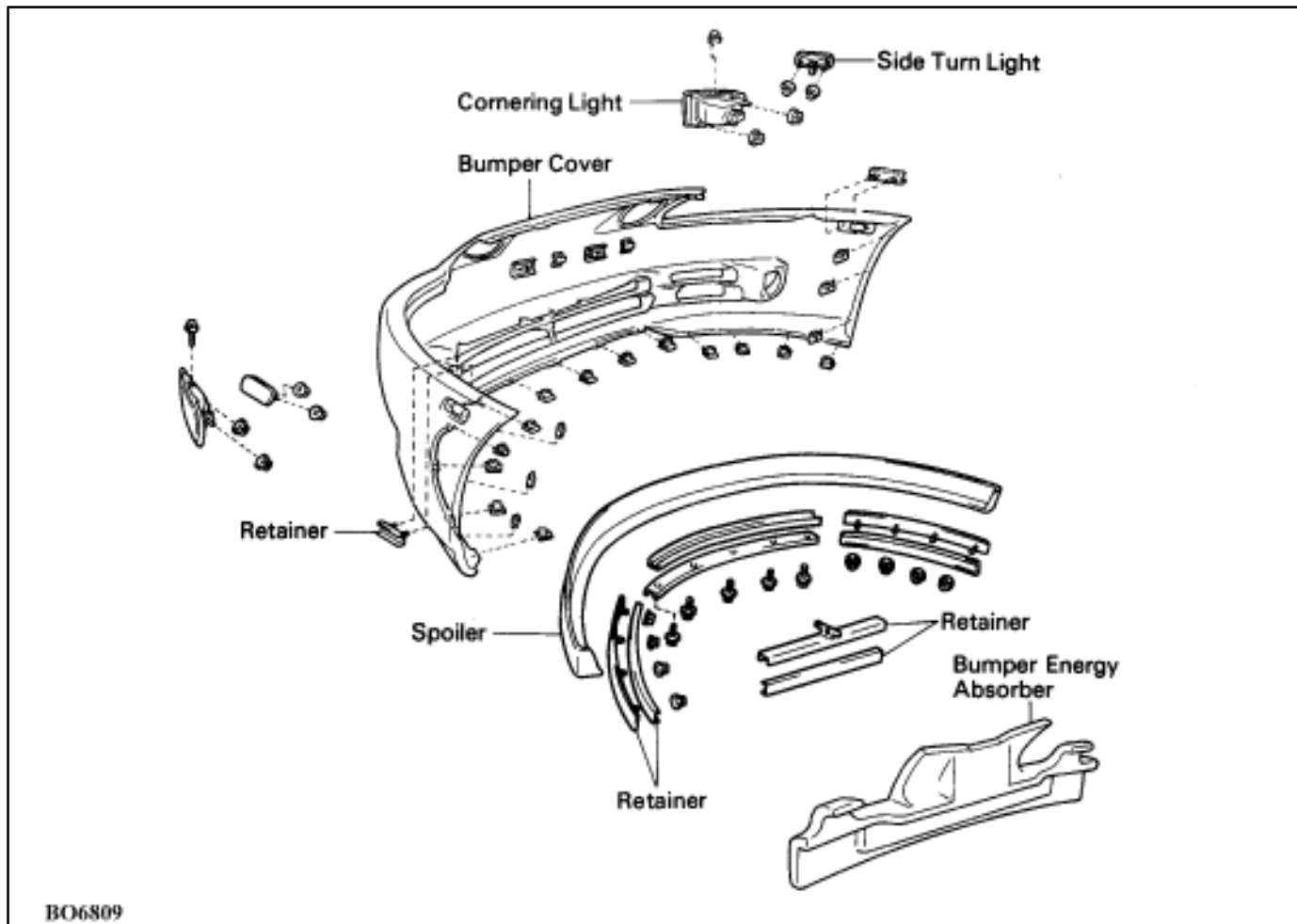
(See page [BO-11](#))

INSTALL FRONT BUMPER PARTS BY FOLLOWING REMOVAL SEQUENCE IN REVERSE

HINT:

- When installing the bumper on the body, be careful not to damage the serrated part of side bolts.
- After installing the headlight, adjust the light aiming. (See page [BE-38](#)).

DISASSEMBLY AND ASSEMBLY OF FRONT BUMPER



BO6809

DISASSEMBLY AND ASSEMBLY BY FOLLOWING PARTS:

- Cornering lights
- Side turn lights
- Bumper energy absorber
- Retainers
- License bracket